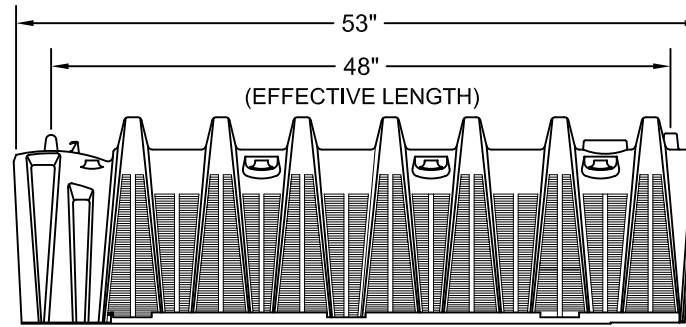
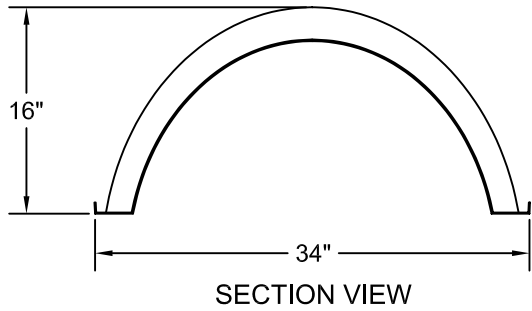
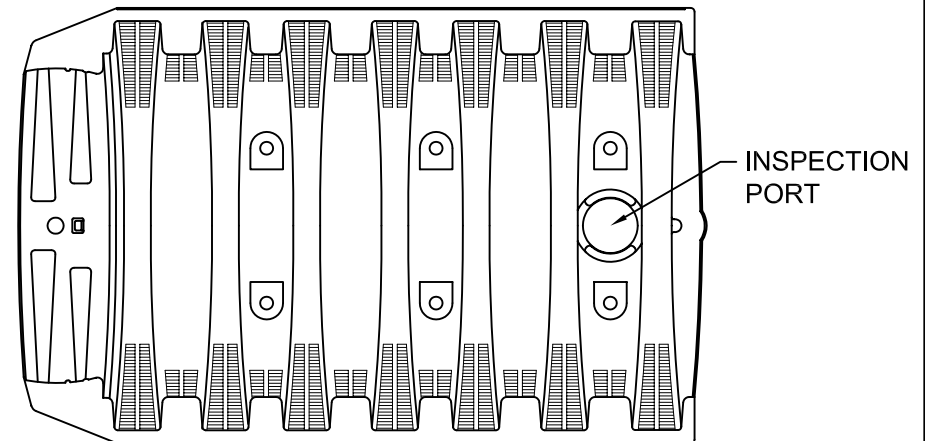


# QUICK4 HIGH CAPACITY CHAMBER

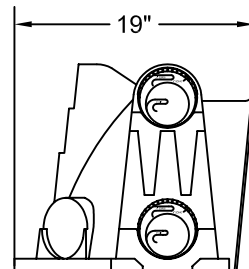
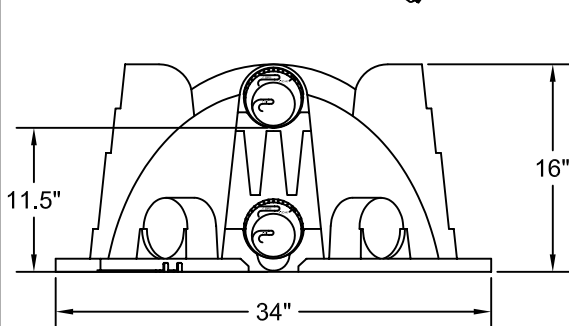
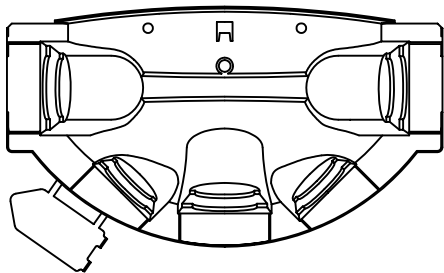


SIDE VIEW

TOP VIEW



## MULTI-PORT END CAP



INFILTRATOR SYSTEMS, INC. 6 BUSINESS PARK ROAD P.O. BOX 768 OLD SAYBROOK, CT 06475 PH. (800) 221-4436 FX. (860) 577-7100 WWW.INFILTRATORSYSTEMS.COM		INFILTRATOR QUICK4 HIGH CAPACITY CHAMBER DETAIL	
Scale	NOT TO SCALE	Checked	DFH
Date	01/21/2005	ACAD No.	
Drawn By:	BCP	Sheet	1 Of 1